



Raingauge Tri Pedestal



The cost-effective choice of pedestal for EML raingauges.

Applications

- National Met Services
- Hydrology catchment projects
- Hydro-Met stations
- Flood warning systems
- Weather enthusiasts
- General rainfall applications that require ground clearance

Features and Benefits

- No need for guy ropes.
- Compact profile and footprint.
- Reduces vibrations.
- Compatible with all versions of EML's raingauges.
- Data loggers and other sensors can be easily attached.
- UK manufactured.



Copyright Environmental Measurements Limited (EML)

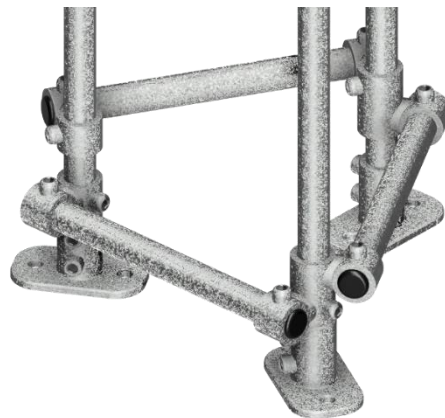
7 Jupiter Court
Orion Business Park
North Shields
NE29 7SE
United Kingdom
Phone: +44-(0)191-2583757
email: sales@emild.net
web: www.emild.net



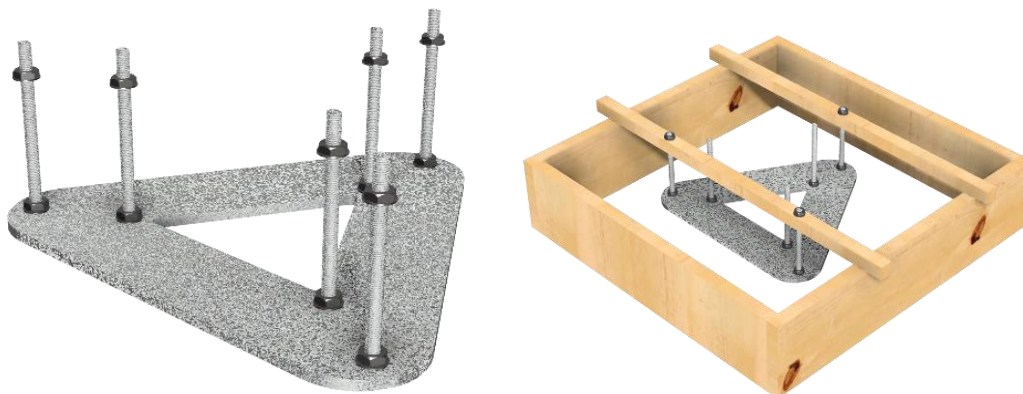
The Tri Pedestal has been designed for use with EML's range of raingauges. It is easy to assemble on site and is fully galvanised and uses stainless steel fittings.

The Tri Pedestal provides increased stability in windy and extreme conditions, an advantage over single pole pedestals. When used with the Root Base, this eliminates the need for guy ropes, allowing a smaller footprint and a narrow profile.

The pedestal may be fitted to an existing platform or concrete area by using suitable fixings on the three bottom feet.



When using the Root Base, this should be set in concrete allowing the studding to protrude above the surface, as in the example shown below.



Copyright Environmental Measurements Limited (EML)

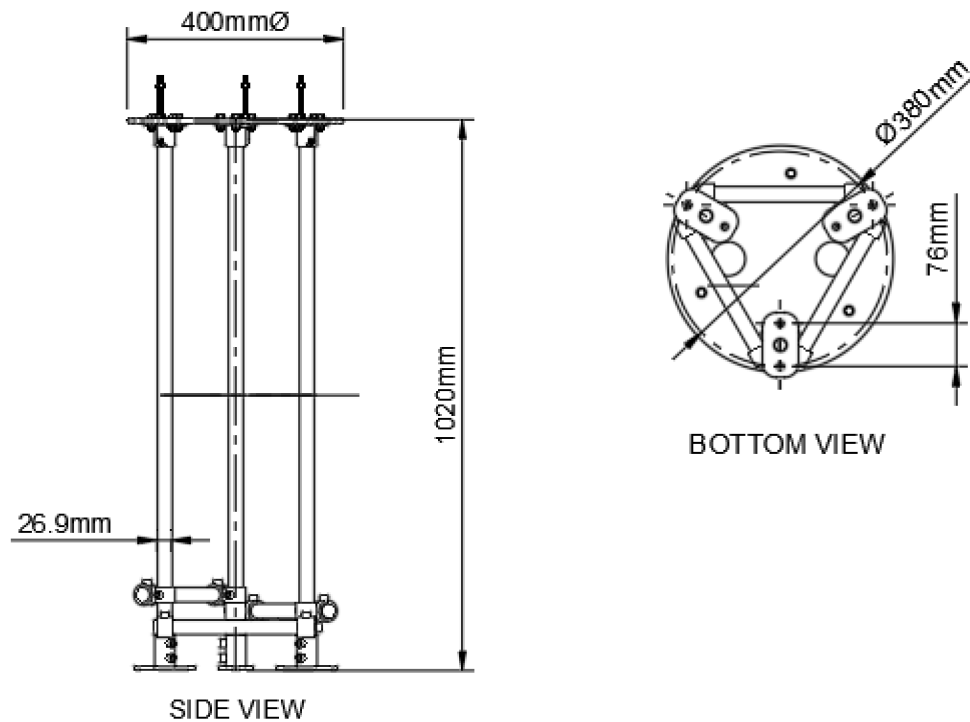
7 Jupiter Court
Orion Business Park
North Shields
NE29 7SE
United Kingdom
Phone: +44-(0)191-2583757
email: sales@emild.net
web: www.emild.net



The installer can shorten the legs by cutting them to any required length. This allows the user to set the gauge to the desired height above the ground. Any cut edges should be protected with zinc galvanising spray or paint, to help prevent corrosion.

Additional sensors, dataloggers and solar panels can be fitted to any of the three legs using suitable brackets.

Guy rope kit is available for extra stability if Root Base fixing is not suitable at site.



Ordering Information	
Order Code	Product
M-610-114	Raingauge Tri Pedestal
M-610-117	Root Base for Pedestal
M-610-081	Pedestal Guy Rope Kit

Contact EML for any alternative requirements.

Web: www.emltd.net

e-mail: sales@emltd.net



Copyright Environmental Measurements Limited (EML)

7 Jupiter Court
Orion Business Park
North Shields
NE29 7SE
United Kingdom
Phone: +44-(0)191-2583757
email: sales@emltd.net
web: www.emltd.net